

PLUTO 402801-LED

PENDANTS

PROJECT



402801BC-LED
Black Chrome



402801BG-LED
Brushed Gold



402801CH-LED
Chrome

SPECIFICATION DETAILS

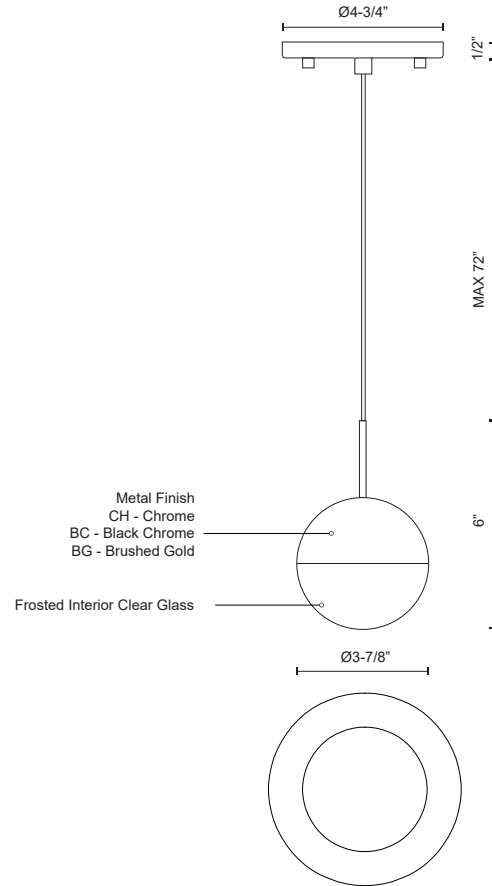
Fixture Dimensions	D3-7/8" x H6"
Light Source	AC LED Module
Wattage	9W
Total Lumens	620lm
Delivered Lumens	BC-369lm; BG - 568lm; CH-564lm;
Voltage	120V
Color Temperature	3000K
CRI (Ra)	90CRI
Optional Color Temps	2700K - 5000K Available, Minimum Order Quantities Apply
LED Rated Life	50,000 hours
Dimming	100% - 10%, ELV Dimmer (Not Included)
Glass Details	Frosted Interior Clear Glass
Adjustable	Yes
Wire Length	72" Max
Wire Type	Clear SSL Wire
Minimum Hang Height	8"
Sloped Ceiling Adaptable	Yes
Location	Dry
CEC Title 24 JA8	Yes, JA8-2022
Canopy Dimensions	D4-3/4" x H1/2"
Paint Finish	BG01; CH01;

* For custom options, consult factory for details.

* For warranty information, please visit www.kuzcolighting.com/warranty

DESCRIPTION

A timeless spherical geometry is inherent to the Pluto pendant. A split line at the globe equator separates complementary plated LED housing from translucent acrylic diffuser. The multiple color options make the fixture a perfect furnishing accent or, in multiples, a focal point.



KUZCO

CANADA: 19054 28TH AVENUE - SURREY, BC V3Z 6M3

USA: 3035 E. LONE MOUNTAIN ROAD - LAS VEGAS, NV 89081

WWW.KUZCOLIGHTING.COM

© 2010 KUZCO LIGHTING. ALL RIGHTS RESERVED.

COMMENT

